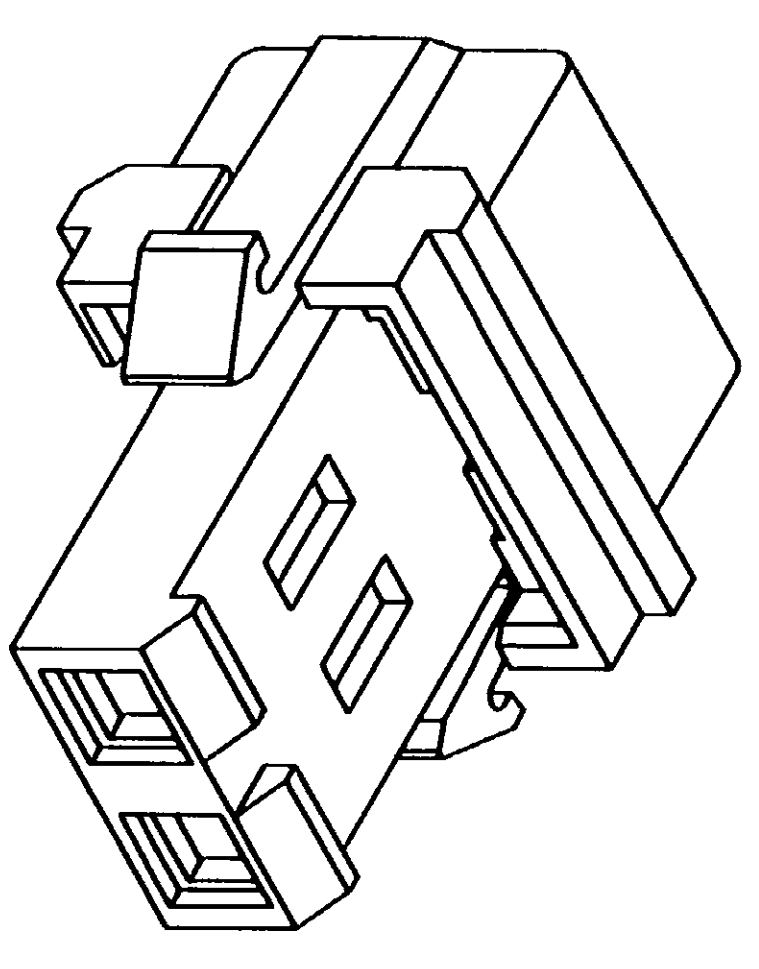
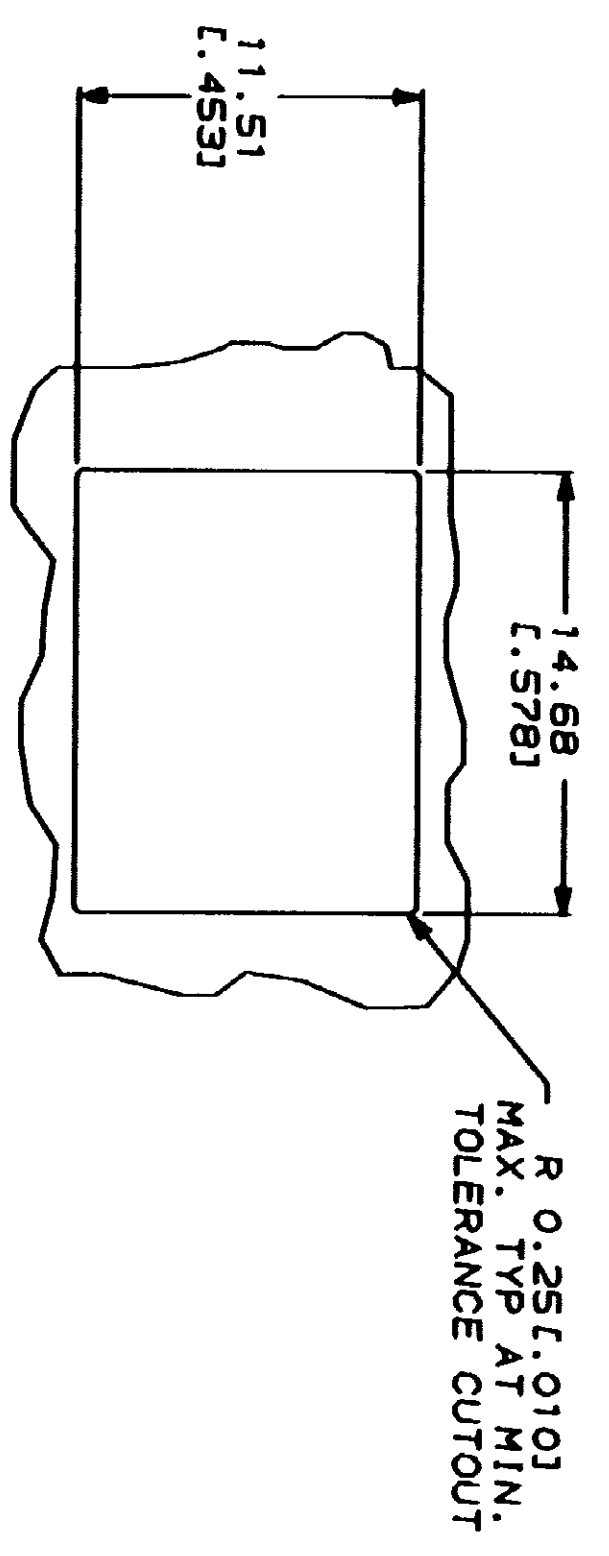


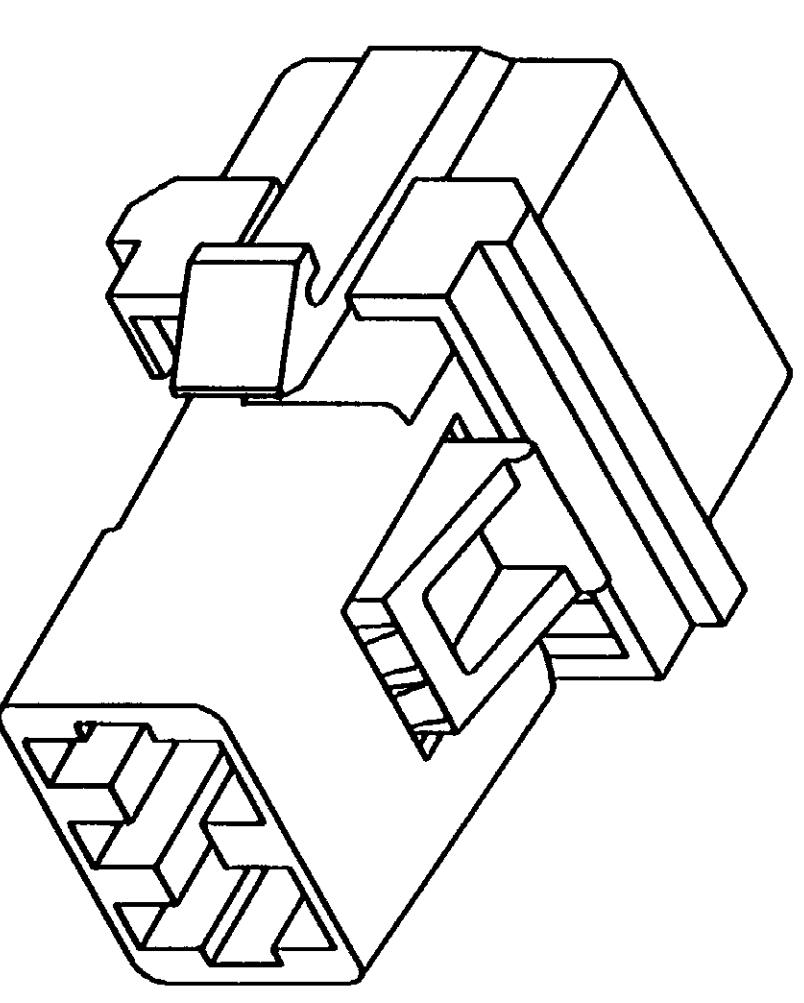
1. DIMENSIONS IN BRACKETS ARE IN INCHES.



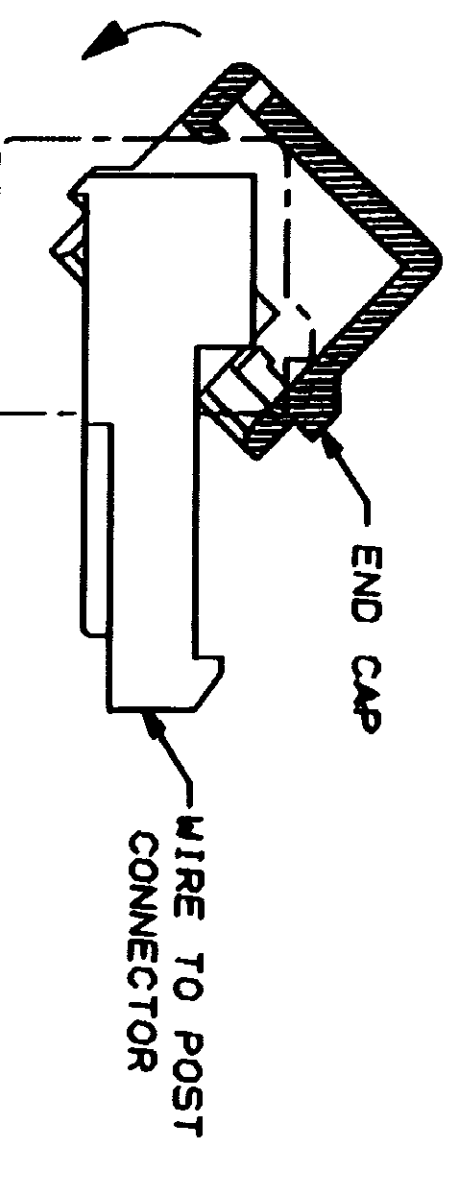
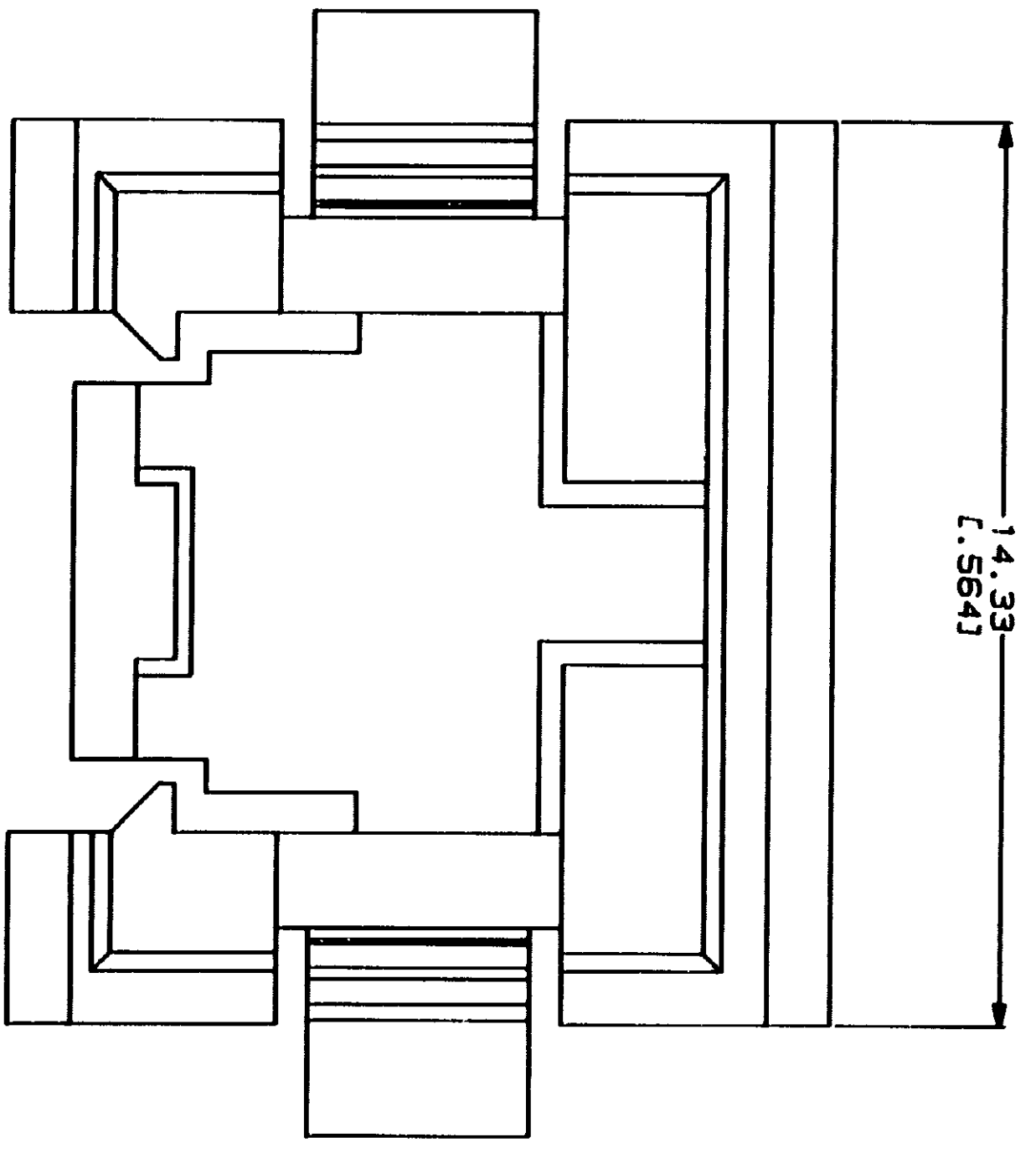
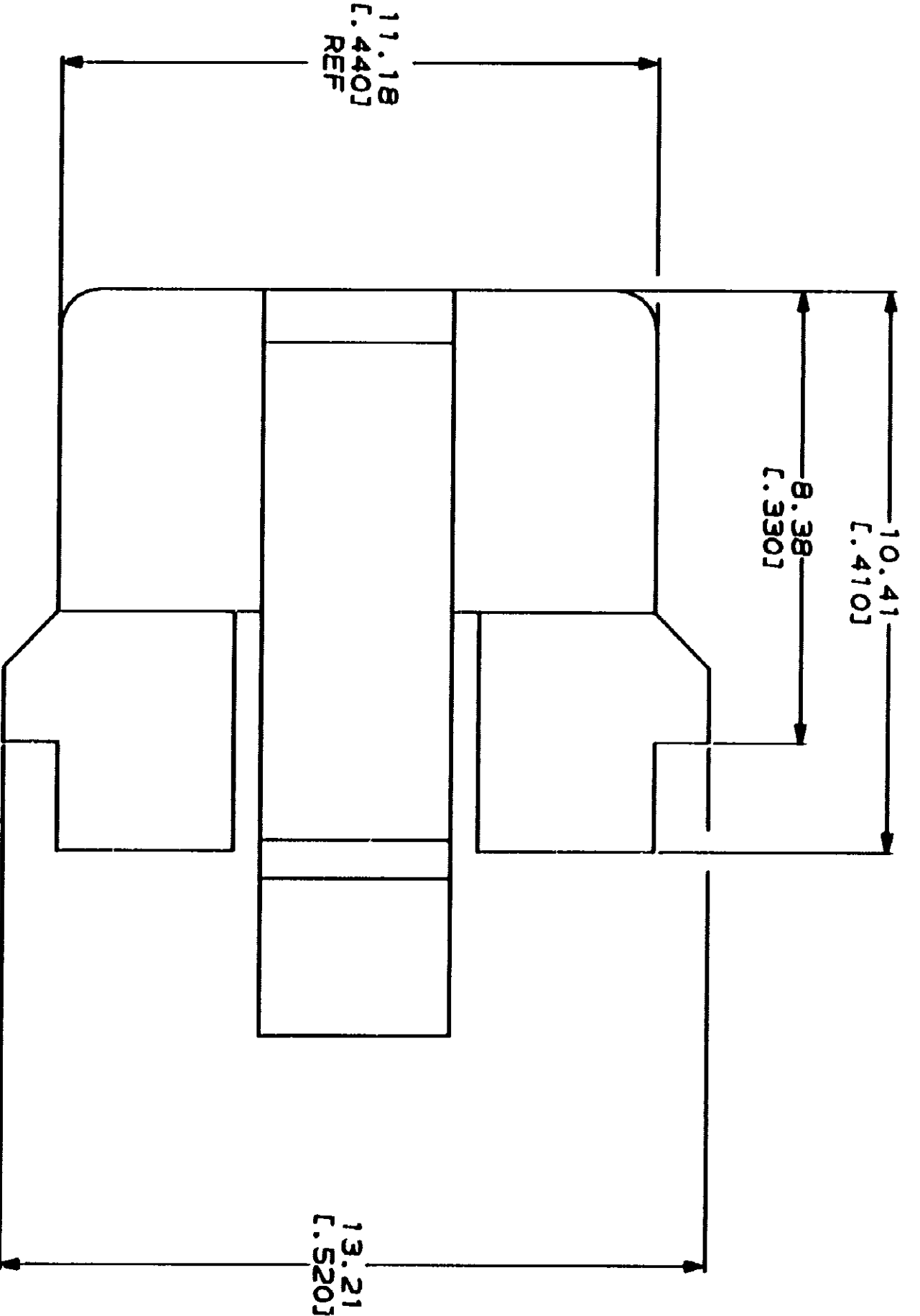
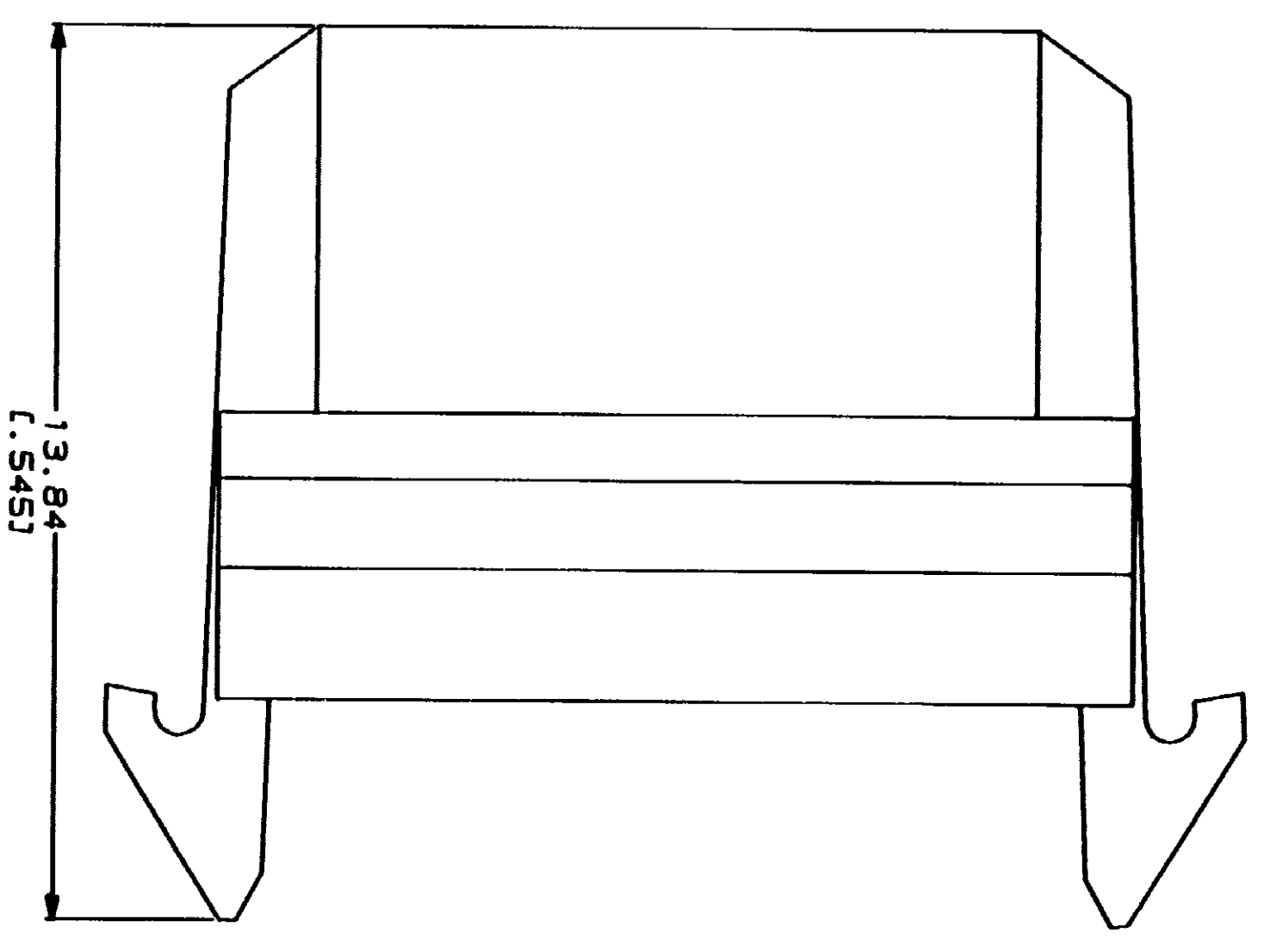
MTA 156 WIRE TO POST CONNECTOR WITH END CAP INSTALLED  
 (RECOMMENDED APPLICATION)



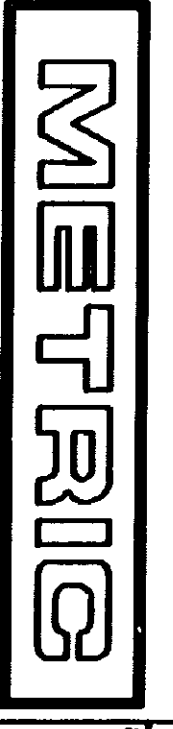
RECOMMENDED PANEL CUTOUT  
 (PANEL THICKNESS = 1.57 (L.062))



MTA 156 POSTED CONNECTOR WITH END CAP INSTALLED  
 (ALTERNATE APPLICATION)



END CAP INSTALLATION METHOD



DO NOT SCALE PRINT. DIMENSIONS SPECIFIED IN MILLIMETERS (INCHES) TOLERANCES IN MILLIMETERS (INCHES)		OR 9-12-93 DR K. SILVER	VALUE
2 P.C. DEC 2 0.131 (005)	1 P.C. DEC 2 0.131 (005)	CHK R. SHINE	END CAP, PANEL MOUNTING, 2 POSITION, POSTED CONNECTOR, MTA-156
MATERIAL	FINISH	DATE	SIZE
NYLON, 94V-2 RATED, BLACK	BLACK	10/20/94	D 00779
PRODUCT SPEC	APPLICATION SPEC	SCALE	DRWING NO
		10:1	641533
			SHEET
			1 OF 1